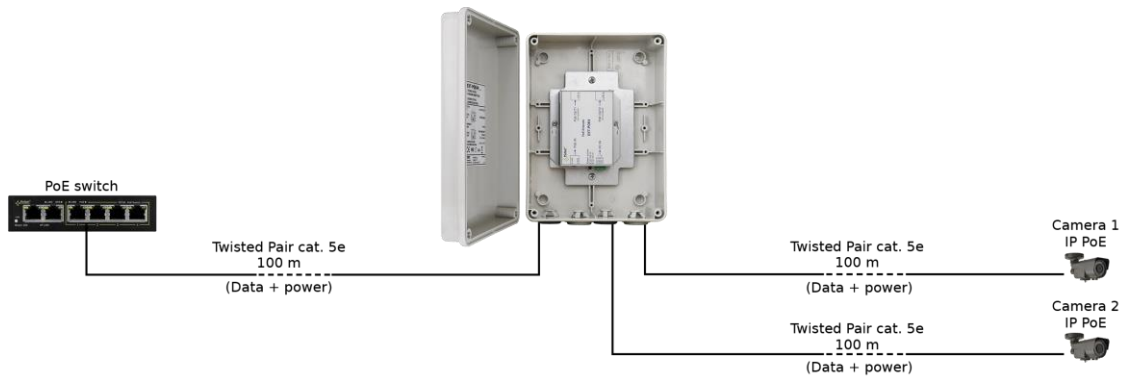




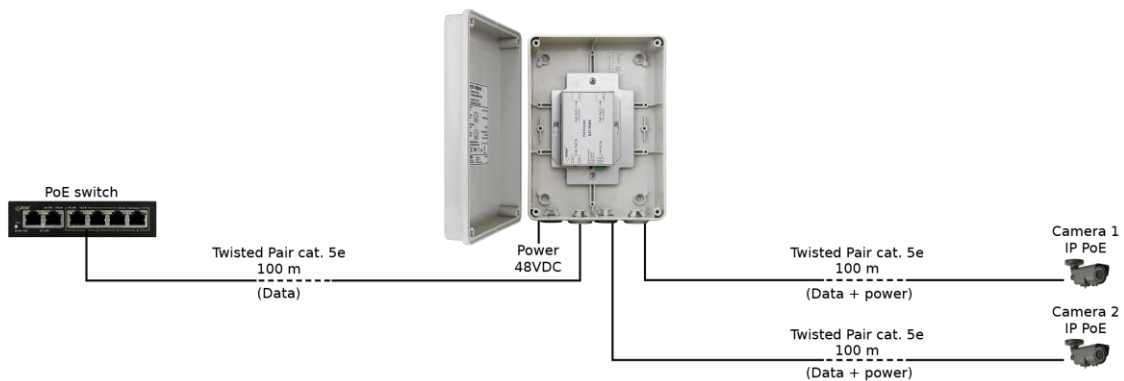
Features:

- The output voltage range 44-57 V DC
- Can be powered from a PoE switch or external power supply
- The PoE IN input compatible with the IEEE802.3af/at standard
- 2 x PoE OUT output
- Increases Ethernet and PoE power range by 100 meters
- Designed for 10 Mbit/s and 100 Mbit/s network
- Pole mounting option (requires the OZB2 adapter - optional accessory)
- LED optical signalization
- protections:
 - surge protection (PoE input)
 - OLP overload protection
 - SCP short circuit protection
 - IP56 hermetic enclosure
- warranty – 1 year from the production date

Example of use.



Connection of two IP PoE cameras and extension of the range for another 100m



Use of the locally powered EXT-PoE4 extender
Connection of two IP PoE cameras and extension of the range for another 100m

1. Technical description.

1.1. General description.

The **EXT-POE4H** extender is a device designed to increase the PoE and Ethernet range by additional 100 meters using UTP Cat. 5 cable. The Extender can be powered using a another PoE-compliant device (PoE IN input) or an external 44-57 V DC power supply unit (DC IN input). The power source is selected using the *Power Source* jumper (see Fig. 1). The output voltage and data are available at the PoE OUT1 and OUT2 outputs designed for connecting cameras or other IP devices using PoE power supply. The maximum load current is 0,3 A (total =0,4 A max.). The PoE OUT1 and PoE OUT2 ports are supplied over 4/5 (+) and 7/8 (-) pairs, which, according to the Ethernet standard, are not used for data transmission (data transmission uses 1/2 and 3/6 twisted pairs).

This device cannot be used on Gigabit Ethernet networks, where all twisted pairs are involved in data transmission.

1.2 Description components and connectors.

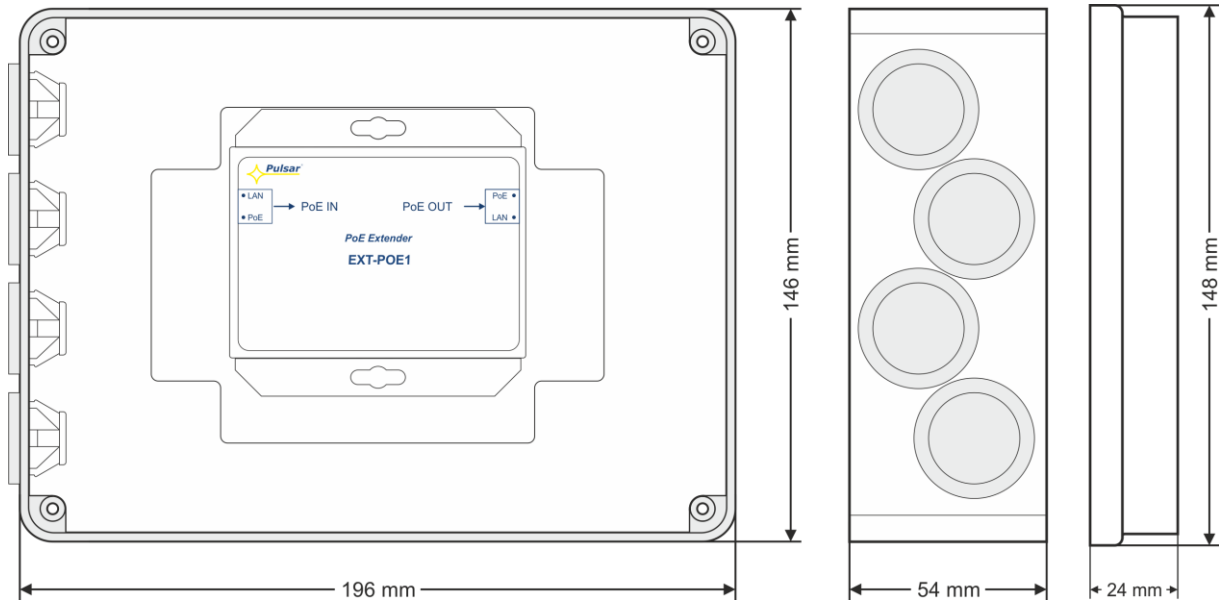




Fig. 1. View of enclosure.

Table 1. (See fig. 2)

Element no. (Fig. 2)	Description
[1]	The PoE IN-input port
[2]	Power source - power supply selection jumper:  PoE IN - Power from the PoE switch  DC IN - Power from an external power supply
[3]	DC IN - power input
[4]	PoE OUT 1/2 - output ports
[5]	LED LAN (yellow)
[6]	LED PoE (green)

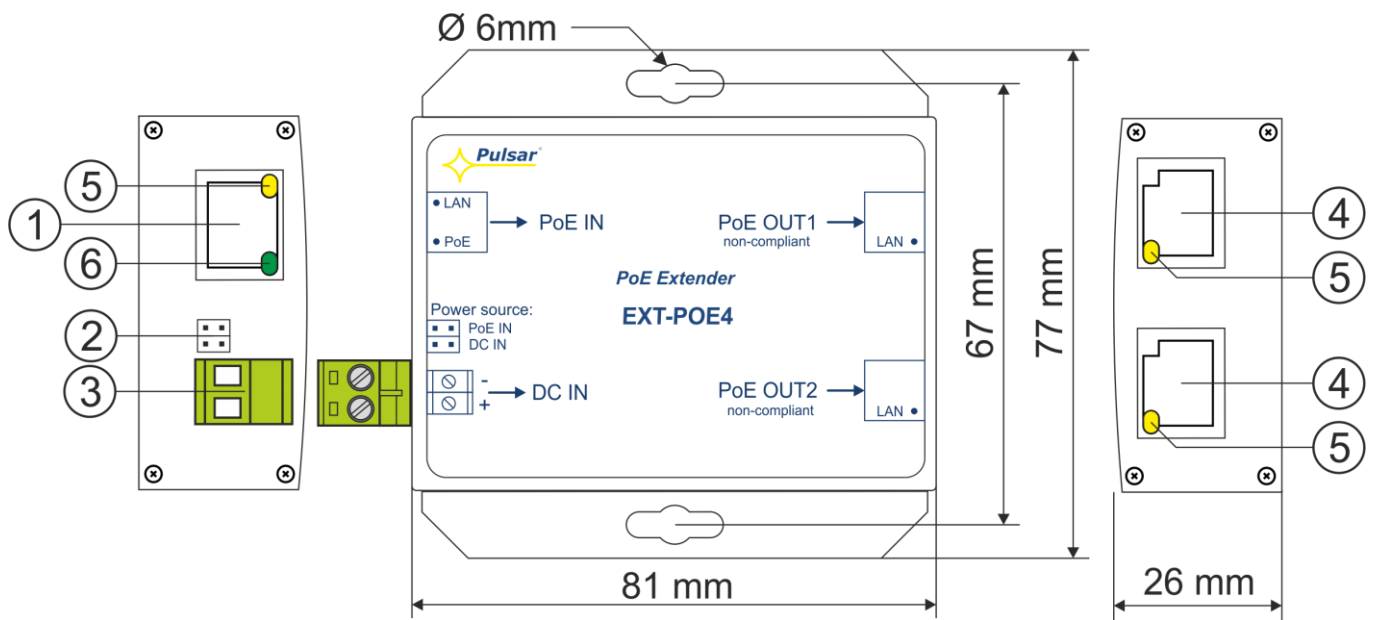


Fig. 2. The view of the extender.

1.3. Technical parameters.

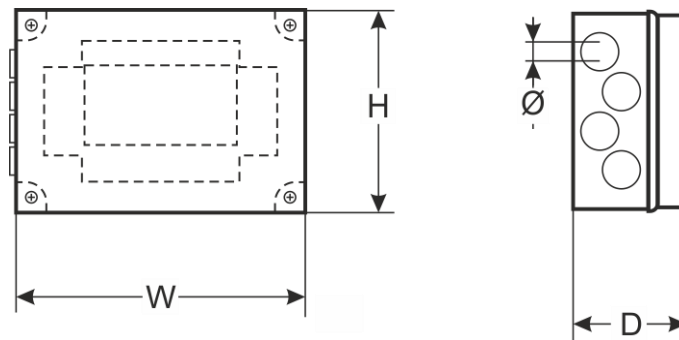


Table 2.

Supply voltage	802.3af/at (44 ÷ 57 V DC)
Current consumption by PSU systems	<30 mA
Module power	20 W max.
Output voltage	applying power
Output current	0,3 A/ports ($\Sigma=0,4$ A max.)
The PoE IN input power supply pairs	4/5 (+) 7/8 (-)
The PoE OUT1/2 output power supply pairs	4/5 (+) 7/8 (-)
Overload protection OLP Short circuit protection SCP	2x PTC 0,5 A, polymer fuse
LED operation indication	Yellow LAN LED - indicating the LAN connection status Green PoE LED - indicating the supply voltage
Range of operating temperatures	-25 °C÷+50 °C
Dimensions	W=198, H=148, D=78 [+/- 2 mm]
Ø cables	6÷13 mm
Connectors: - DC IN power supply input - IN/OUT PoE	Ø0,5÷2,1 (AWG 24-12) 0,5÷1,5 mm ² RJ45 8P8C
Net/gross weight	0,55 kg / 0,62 kg
Storage temperature	-25 °C...+60 °C

2. Installation.

2.1. Requirements.

The extender should be mounted by a qualified installer, holding relevant permits and licenses (applicable and required for a given country) for low-voltage installations. The device should be mounted in a place protected from weather conditions and direct sun, with temperatures from -25 °C to + 50 °C. Thanks to the use of the OZB2 mounting plate (optional accessory), it is possible to mount the device on a pole (not included).

The device is designed for a 10 Mbit/s or 100 Mbit/s Ethernet network (the so-called Fast Ethernet). However, it cannot be used in 1 Gbit/s networks (the so-called Gigabit Ethernet). The minimum category cable recommended to connect the extender and the network device is UTP Cat. 5 cable. In the case of an external installation, it must be resistant to UV radiation.

2.2. Installation procedure.

Mount device in selected location and lead connecting wires. Wires must be pushed through cable glands, then connectors should be tightened. Connect the network cables (Ethernet) to the RJ45 connectors marked PoE IN and PoE OUT. Connect the RJ45 cable from the Ethernet switch to the PoE IN jack. When using a switch non compliant with the PoE standard, connect an external power source to the DC IN jack. Then, use the jumper to choose the power source. Connect devices, such as IP cameras, to the PoE OUT 1/2 outputs e.g. IP cameras. After installing and checking the correctness of the device operation, the enclosure should be closed.

3. Maintenance.

Any and all maintenance operations may be performed following the disconnection of the power supply from the power network. The power supply does not require any specific maintenance procedures, however, in the case of significant level of dust, it should be cleaned with compressed air.



WEEE MARK

According to the EU WEE Directive – It is required not to dispose of electric or electronic waste as unsorted municipal waste and to collect such WEEE separately.

Pulsar sp. j.

Siedlec 150, 32-744 Łapczyca, Poland
Tel. (+48) 14-610-19-40, Fax. (+48) 14-610-19-50
e-mail: biuro@pulsar.pl, sales@pulsar.pl
http:// www.pulsar.pl, www.zasilacze.pl